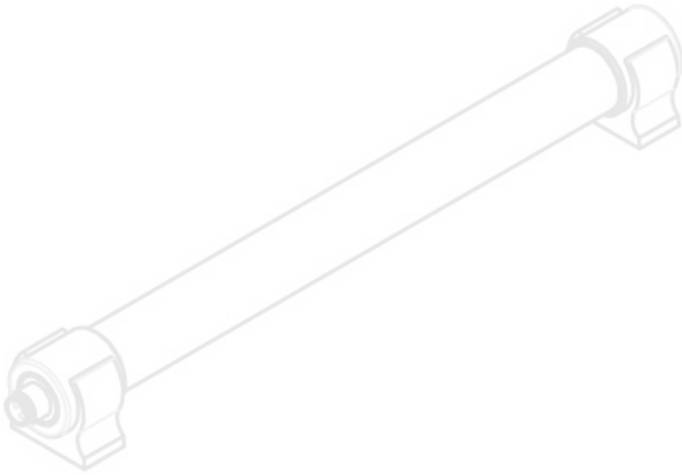
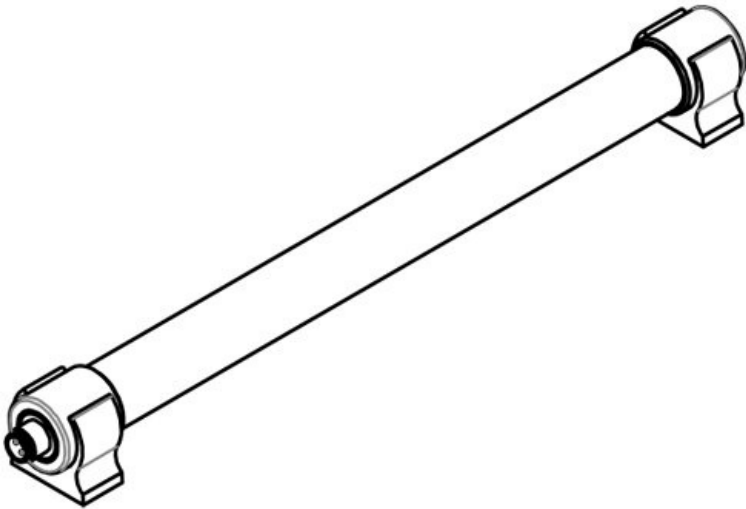


EAN	81502	□□ □□ □	28 mm
	4251269333	□□ 7□□□	M12 □□□
	132	□□□ □□	M12 □□□ □□
	1	□□ □□	8 W
	296,1 mm	□□ □□	24 V, DC
	36 mm		±5%
	34 mm		50.000 h
	24 mm		E
		□□□ kWh/1000h	13
			5.600 K
	□□ □□□ □□□	CRI >80	
		1.000 lm	
	□□ □□		



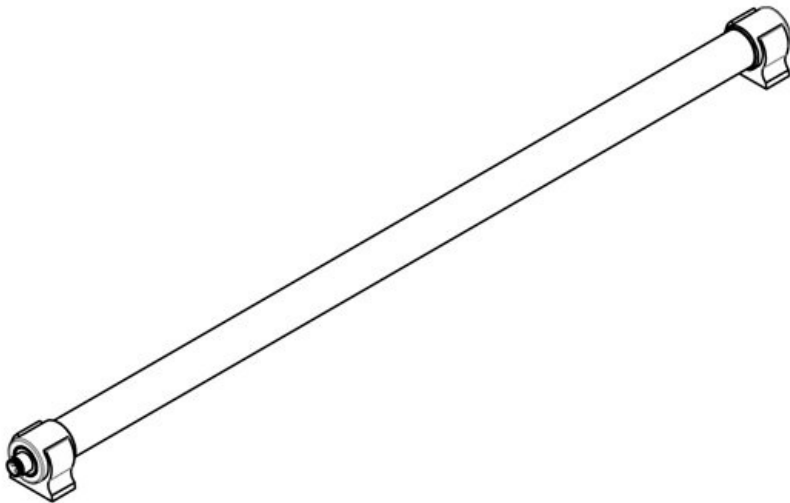
EAN	81503	□□ □□ □	28 mm
	4251269333	□□ 7□□□	M12 □□□
	149	□□□ □□	M12 □□□ □□
	1	□□ □□	11,2 W
	331,1 mm	□□ □□	24 V, DC
	36 mm		±5%
	34 mm		50.000 h
	24 mm		5.000 K
		□□ □□□ □□□	CRI >80
			1.650 lm
	□□ □□	□□□ □□	





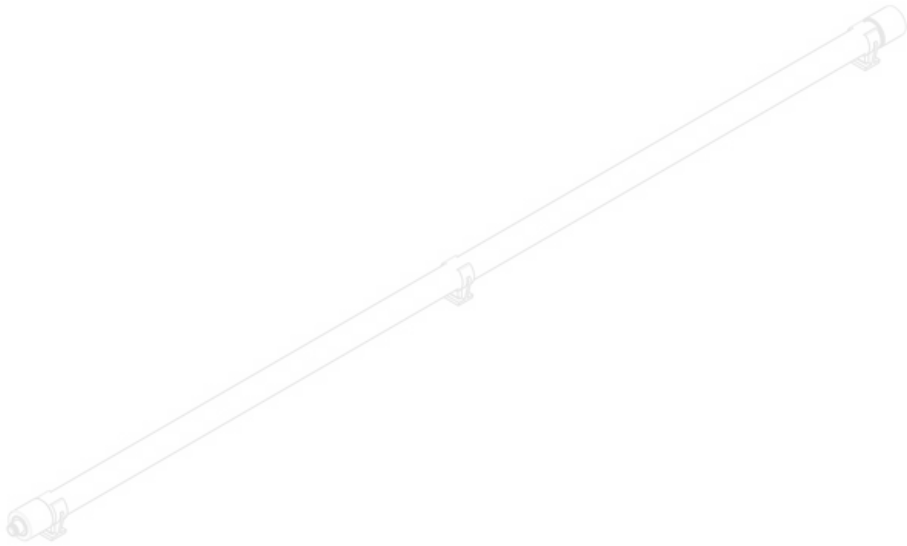
EAN

81500 00 00 0 **28 mm**
4251269333 00 7400 **M12 000**
118 000 00 **M12 000 00**
1 00 00 **13 W**
565,1 mm 00 00 **24 V, DC**
36 mm **±5%**
34 mm **50.000 h**
24 mm **E**
000 kWh/1000h13
5.600 K
00 000 000 CRI **>80**
1.700 lm
00 00



EAN

81504 00 00 0 **28 mm**
4251269333 00 7400 **M12 000**
156 000 00 **M12 000 00**
1 00 00 **16,8 W**
615,1 mm 00 00 **24 V, DC**
36 mm **±5%**
34 mm 00 00 **1,08 A**
24 mm **50.000 h**
 5.000 K
00 000 000 CRI **>80**
2.775 lm
00 00 000 00



EAN

81501 ☐☐ ☐☐ ☐ **28 mm**
4251269333 ☐☐ 7☐☐☐ **M12 ☐☐☐**
125 ☐☐☐ ☐☐ **M12 ☐☐☐ ☐☐**
1 ☐☐ ☐☐ **26 W**
1.074,6 mm ☐☐ ☐☐ **24 V, DC**
39 mm **±5%**
30,4 mm ☐☐ ☐☐ **1,0 A**
24 mm **50.000 h**
 E
 ☐☐☐ kWh/1000h**13**
 5.600 K
 ☐☐ ☐☐☐ ☐☐☐ CRI **>80**
 3.400 lm
 ☐☐ ☐☐

☐☐ ☐☐☐ TUBE, 5000 mm



EAN

81530 ☐☐☐ ☐☐ ☐☐
4251269333
163
1
5.000 mm
M12 ☐☐☐, ☐☐☐
24 V DC ±5%

☐☐ ☐☐ ☐☐☐
☐☐☐ ☐☐
☐☐ ☐☐

00 000 TUBE, 10000 mm

	81531	000 00 00
EAN	4251269333	
	170	
	1	
00 00 000	10.000 mm	
000 00	M12 000, 000	
00 00	24 V DC ±5%	



00 00 TUBE, 000000

	91443	00 0 0	1
EAN	4251269335	000 00	6,5 mm
	082		
	2		
	30 mm		
	38 mm		
	27 mm		



00 00 TUBE, 000 000 28mm

	91070	00 0 0	1
EAN	1	000 00	4,2 mm
	18,4 mm		
	34 mm		
	34 mm		
00 00 0	28 mm		



